

Installation Guidelines

Directives d'installation

Polaris

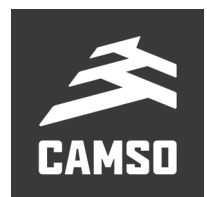
5000-05-0568-MAN

WARNING

Possible incompatibility between differential ratios. Before installation on the vehicle, it is ***MANDATORY*** to validate the Track System's front and rear ratios. Refer to the documents included to validate compatibility with your vehicle.

AVERTISSEMENT

Possibilité d'incompatibilité des ratios de différentiel. Avant l'installation sur le véhicule, il est ***OBLIGATOIRE*** de valider les ratios avant et arrière du système de chenille. Référez-vous aux documents inclus pour valider la compatibilité avec votre véhicule.



IMPORTANT NOTICE / AVIS IMPORTANT

WARNING

On certain 2015 model vehicles, manufacturer Polaris introduced new differential ratios between front and rear wheels. This change greatly impacts performance of Track Systems, and damages on the vehicle and/or System may occur if incompatibility exists between the Track System sprocket ratios and the vehicle.

Anchor bracket kits on these vehicles may be the same as earlier model years, and Track Systems can be installed on the vehicles without interference but product performance will be greatly impacted and important damages may occur following use if proper front and rear sprocket ratios are not respected. Camso Track Systems are specifically adapted for specific vehicle models and cannot be installed or swapped without verifying sprocket ratios.

To maintain the level of excellence and quality of its products, Camso asks that ratios between the Track System's front and rear sprockets be ***systematically*** verified before installing a Track System that has been sold and/or that will be installed on a Polaris vehicle.

AVERTISSEMENT

Sur certains modèles de véhicule Polaris de l'année modèle 2015, le fabricant Polaris a introduit de nouveaux ratios de différentiel entre les roues avant et arrière. Ce changement affecte de façon importante les performances du système de traction et des risques de bris sur le véhicule et/ou le système peuvent survenir suite à l'incompatibilité des ratios de barbotins et du véhicule.

Les systèmes d'ancrage de ces véhicules peuvent être identiques et le système de traction s'installe sans aucune restriction au véhicule mais les performances du produit seront grandement affectées et des bris importants au véhicule peuvent survenir suite à l'utilisation si les ratios de barbotin avant et arrière ne sont pas respectés. Les systèmes de traction Camso sont adaptés spécifiquement à des modèles précis de véhicules et ne peuvent être installés ou interchangés sans qu'une vérification des ratios de barbotins ne soit effectuée.

Afin de maintenir un niveau d'excellence et de qualité de nos produits, Camso inc. exige, pour les systèmes vendus et/ou qui seront installés sur un véhicule du fabricant Polaris, que les ratios des barbotins avant et arrière du système soient ***obligatoirement*** vérifiés avant l'installation.

RATIOS VERIFICATION / VÉRIFICATION DES RATIOS

Below is a list of the front and rear sprocket ratios for each Polaris model as well as the identification procedure to determine the number of teeth on a Track System sprocket.

Vous trouverez ci-joint la liste des équivalences des ratios avant et arrière des barbotins pour chacun des modèles de véhicule Polaris ainsi que la procédure pour identifier le nombre de dents des barbotins de votre système de traction.

PROCEDURE / PROCÉDURE

• Determination of the number of teeth on sprockets:
The part identification number is inscribed behind the sprocket. The last two digits of this number represent the number of teeth on the sprocket.

• Identification du nombre de dents des barbotins :
Un numéro est inscrit à l'arrière le barbotin : le numéro d'identification de pièce. Les deux derniers chiffres de ce numéro représentent le nombre de dents du barbotin.

Figure 1

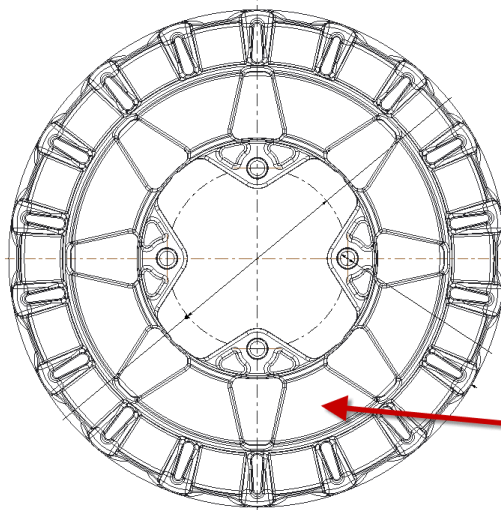
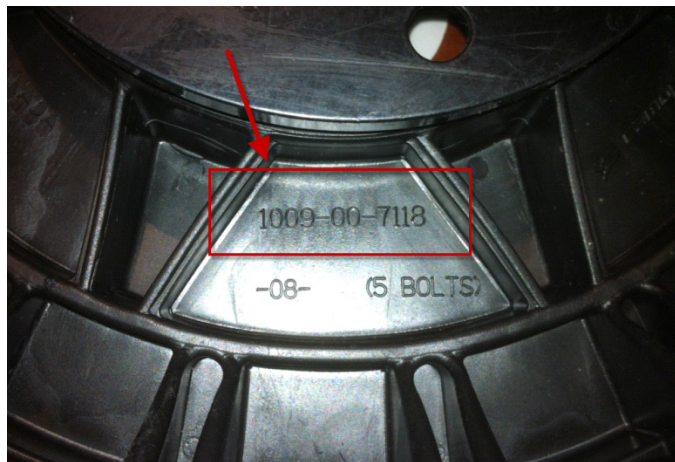


Figure 2



Part reference number and number of teeth on sprocket:

- 1009-00-7115 15 teeth
- 1009-00-7116 16 teeth
- 1009-00-7117 17 teeth
- 1009-00-7118 18 teeth

Référence numéro de pièce et nombre de dent du barbotin :

- 1009-00-7115 15 dents
- 1009-00-7116 16 dents
- 1009-00-7117 17 dents
- 1009-00-7118 18 dents

See the following pages for a list of sprocket ratios by vehicle model.

Voir les pages suivantes pour la liste des équivalences des ratios selon le modèle de véhicule.

CC	MODEL	Suspension Type	Year From	Year To	Front sprocket	Rear sprocket
325	Ranger ETX (31 HP)	Ind	2015	2016	16	15
325	Sportsman ACE (32 HP)	Ind	2014	2016	16	15
325	Sportsman ETX (30 HP)	Ind		2015	16	15
330	4X4 Magnum (front small hub)	Rig	2003	2006	16	15
400	Ranger 4X4 EFI	Ind	2010	2014	16	15
400	Sportsman	Ind		2004 1/2	16	15
400	Sportsman H.O. *model with Hi & Low only*	Ind	2005	2014	16	15
450	Sportsman	Ind	2006	2007	17	16
450	Sportsman H.O. / EPS / Utility	Ind	2016	2020	17	16
500	ACE	Ind	2017	2019	17	16
500	Magnum RMK	Rig		2002	17	16
500	Ranger	Ind	2017	2020	16	15
500	Ranger 4X4	Rig	2002	2004	17	16
500	Ranger 4X4 / EFI	Ind	2005	2008	17	16
500	Ranger 4X4 / EFI	Ind		2009	17	16
500	Ranger 4X4 / EFI	Ind	2010	2013	17	16
500	Ranger 6X6	Rig	2000	2007	16	15
500	Ranger Crew 4X4 / EFI	Ind	2011	2013	17	16
500	Sportsman *front small hub*	Ind		2004 1/2	17	16
500	Sportsman EFI Touring HO	Ind	2008	2013	17	16
500	Sportsman H.O.	Ind	2005	2007	17	16
500	Sportsman H.O.	Ind	2008	2013	17	16
500	Sportsman X2	Ind	2008	2009	17	16
500	Sportsman X2	Ind	2006	2007	17	16
550	Sportsman / XP / EPS	Ind	2009	2014	17	16
550	Sportsman Touring / EPS	Ind	2010	2014	17	16
550	Sportsman X2 / EPS	Ind	2010	2014	17	16
570	Ranger (Full-size)	Ind	2016	2020	17	16
570	Ranger / EPS (full-size)	Ind		2015	17	16
570	Ranger / EPS (Mid-size)	Ind	2014	2020	17	16
570	Ranger Crew / EPS (full-size)	Ind		2015	17	16
570	Ranger Crew 4 / EPS / Premium (mid-size)	Ind	2016	2020	17	16
570	Ranger Crew 6 (full-size)	Ind	2016	2020	17	16
570	Ranger Crew EFI / EPS (mid-size)	Ind	2014	2015	17	16
570	Ranger Crew XP 6 (full-size)	Ind		2016	17	16
570	Ranger XP *w/o power steering*	Ind		2016	17	16
570	Ranger XP EPS *with power steering*	Ind		2016	15	16
570	RZR *w/o power steering*	Ind	2016	2020	17	16
570	RZR / Trail / EPS	Ind	2012	2015	17	16
570	RZR EPS / TRAIL *with power steering*	Ind	2016	2020	16	17
570	RZR S EPS	Ind		2017	16	17
570	Sportsman / EPS / Utility	Ind	2014	2020	17	16
570	Sportsman ACE	Ind	2016	2017	17	16
570	Sportsman ACE / SP	Ind		2015	17	16
570	Sportsman ACE SP	Ind		2016	16	17

CC	MODEL	Suspension Type	Year From	Year To	Front sprocket	Rear sprocket
570	Sportsman SP / EPS / Hunter Edition / LE / Premium	Ind	2015	2020	18	18
570	Sportsman Touring / EPS	Ind	2014	2019	17	16
570	Sportsman Touring SP / Premium	Ind	2015	2020	18	18
570	Sportsman X2 EPS	Ind	2015	2020	16	17
600	Sportsman Twin	Ind	2005	2007	17	17
600	Sportsman Twin	Ind	2003	2004 1/2	17	16
700	Ranger 4X4	Rig	2002	2004	17	16
700	Ranger 4X4	Ind	2005	2008	18	17
700	Ranger 6X6 EFI	Rig	2005	2009	18	17
700	Ranger Crew 4X4	Ind	2008	2009	17	16
700	Ranger HD / XP	Ind		2009	18	17
700	Sportsman MV7	Ind	2005	2006	17	16
700	Sportsman Twin	Ind	2005	2007	17	16
700	Sportsman Twin	Ind	2002	2004 1/2	17	16
700	Sportsman X2	Ind		2008	17	16
800	Ranger 6X6 EFI	Ind	2010	2016	18	17
800	Ranger Crew / EFI / EPS	Ind	2010	2014	18	17
800	Ranger EFI / HD / XP / XP EPS	Ind	2010	2014	18	17
800	Ranger EFI Midsize / EPS	Ind	2013	2014	18	17
800	Razor RZR / EPS / XC	Ind	2008	2014	18	17
800	Razor RZR 4	Ind	2010	2014	18	17
800	Razor RZR S / HO / EPS	Ind	2009	2014	18	17
800	Sportsman 6X6 / Big Boss / Magnum	Ind	2009	2014	18	17
800	Sportsman EFI	Ind	2008	2014	18	17
800	Sportsman Touring	Ind	2008	2009	18	17
800	Sportsman Twin EFI	Ind	2005	2007	18	17
800	Sportsman X2	Ind	2006	2007	18	17
800	Sportsman X2	Ind	2008	2009	18	17
850	Scrambler / XP / HO / EPS	Ind	2013	2020	18	17
850	Sportsman *arched a-arms*	Ind		2019	18	17
850	Sportsman / XP / HO / EPS *straight a-arms*	Ind	2009	2020	18	17
850	Sportsman High Lifter Edition *arched a-arms*	Ind	2016	2020	18	17
850	Sportsman Premium *straight a-arms*	Ind		2020	16	18
850	Sportsman SP *straight a-arms*	Ind	2015	2017	16	18
850	Sportsman SP / Premium / Trail Package *arched a-arms*	Ind	2018	2020	16	18
850	Sportsman Touring / SP *straight a-arms*	Ind	2015	2020	16	18
850	Sportsman Touring HO EPS *straight a-arms*	Ind	2010	2014	18	17
850	Sportsman WV850 HO	Ind		2014	18	17
850	Sportsman X2	Ind	2011	2012	18	17
898	PRO XD 2000D AWD	Ind		2019	16	17
898	PRO XD 4000D AWD	Ind		2019	16	17
898	Ranger Diesel *Europe only*	Ind		2019	16	17
900	Ranger Crew XP / Crew 5 / Crew 6 *w/o power steering*	Ind	2016	2019	18	17
900	Ranger Crew XP / Crew 5 / Crew 6 / EPS *with power steering*	Ind	2016	2019	16	17
900	Ranger Crew XP / XP-6 / EPS	Ind	2014	2015	18	17

CC	MODEL	Suspension Type	Year From	Year To	Front sprocket	Rear sprocket
900	Ranger XP *w/o power steering*	Ind	2016	2019	18	17
900	Ranger XP / EPS / Deluxe / Hunter / Northstar	Ind	2013	2015	18	17
900	Ranger XP EPS *with power steering*	Ind	2016	2019	16	17
900	RZR *w/o power steering* (M10 rear a-arm bolt)	Ind	2015	2016	18	17
900	RZR *w/o power steering* (M12 rear a-arm bolt)	Ind	2016 1/2	2020	18	17
900	RZR EPS / Trail / XC *with power steering* (M10 rear a-arm bolt)	Ind	2015	2016	17	18
900	RZR EPS / Trail / XC / Premium *with power steering* (M12 rear a-arm bolt)	Ind	2016 1/2	2020	17	18
900	RZR S *w/o power steering* (M10 rear a-arm bolt)	Ind		2015	18	17
900	RZR S *w/o power steering* (M12 rear a-arm bolt)	Ind	2015 1/2	2020	18	17
900	RZR S EPS *with power steering* (M10 rear a-arm bolt)	Ind		2015	17	18
900	RZR S EPS / Premium *with power steering* (M12 rear a-arm bolt)	Ind	2015 1/2	2020	17	18
900	RZR S4 EPS (4 seats)	Ind	2015	2018	17	18
900	RZR XP / EPS / Jagged X	Ind	2011	2014	18	17
900	RZR XP 4 (4 seats)	Ind	2012	2014	18	17
900	Sportsman ACE SP	Ind		2016	17	18
904	Brutus / HD / PTO	Ind	2013	2014	17	16
904	Ranger 4x4 Diesel	Ind	2011	2014	17	16
904	Ranger Crew 4X4 Diesel	Ind	2011	2014	17	16
904	Ranger Diesel HST	Ind		2014	17	16
1000	General / General 4 / EPS / Deluxe / Premium	Ind	2016	2020	17	18
1000	Ranger / EPS / Premium	Ind		2020	16	17
1000	Ranger Crew / EPS / Premium	Ind		2020	16	17
1000	Ranger Crew XP / EPS	Ind	2017	2018	17	18
1000	Ranger Crew XP EPS / Northstar / Premium / 20th	Ind	2019	2020	17	18
1000	Ranger XP / EPS / Ranch / Hunter / Northstar *Except High lifter Edition*	Ind		2017	17	18
1000	Ranger XP EPS / Northstar / Premium / 20th / ABS	Ind	2018	2020	17	18
1000	RZR RS1	Ind	2018	2020	17	18
1000	RZR S EPS	Ind	2016	2020	17	18
1000	RZR S4 EPS (4 seats)	Ind	2019	2020	17	18
1000	RZR XP / EPS / Turbo *Except Desert,High lifter,Trail & Rock, Turbo S Edition*	Ind	2014	2020	17	18
1000	RZR XP 4 EPS / Turbo / Dynamix / Ride Command (4 seats)	Ind	2014	2020	17	18
1000	Scrambler XP	Ind	2015	2018	16	18
1000	Scrambler XP EPS	Ind		2014	18	17
1000	Scrambler XP S *55" wide*	Ind		2020	18	17
1000	Sportsman Touring XP / LE *straight a-arms*	Ind	2015	2020	16	18
1000	Sportsman XP *straight a-arms*	Ind		2020	16	18
1000	Sportsman XP / High Lifter / Premium / Trail Package *arched a-arms*	Ind	2016	2020	16	18
1000	Sportsman XP / LE / Hunter Edition *arched a-arms*	Ind	2017	2020	16	18
1000	Sportsman XP / LE / Hunter Edition *straight a-arms*	Ind	2015	2016	16	18
1000	Sportsman XP S *55" wide*	Ind		2020	18	17
1028	Brutus / HD / PTO / CAB / Deluxe	Ind	2015	2018	17	16
1028	Ranger Crew Diesel	Ind	2015	2018	18	17
1028	Ranger Diesel	Ind	2015	2018	18	17
1028	Ranger Diesel HST / Deluxe	Ind	2015	2018	17	16

Installation Guidelines

Polaris

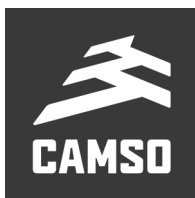
5000-05-0568-MAN

CAMSO



ATV Track system





⚠ WARNING

Please read carefully each part of this document as well as the *User Manual* prior to assembling, installing and using the Track System.

CAUTION: Longevity of Camso Track System components is directly linked to the way the System is used. Sportive driving, rapid direction changes and repeated fast turns (especially on power steering vehicles) are not advised. These driving styles increase the risk of track derailing and can cause premature wear and or major breakdowns on the Track System, which will not be covered under normal warranty.

Camso inc.
4162, rue Burrill - Local A
Shawinigan, QC G9N 0C3
CANADA

TECHNICAL SUPPORT

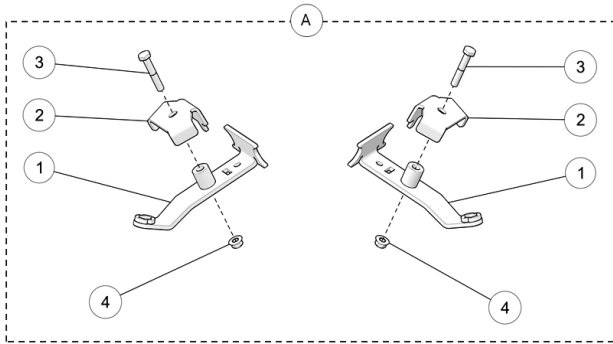
If your dealer or distributor is unable to solve a problem related to the System, you may contact the Camso support team from Monday to Friday.

E-Mail: enduser.atv@camso.co
Internet: www.camso.co

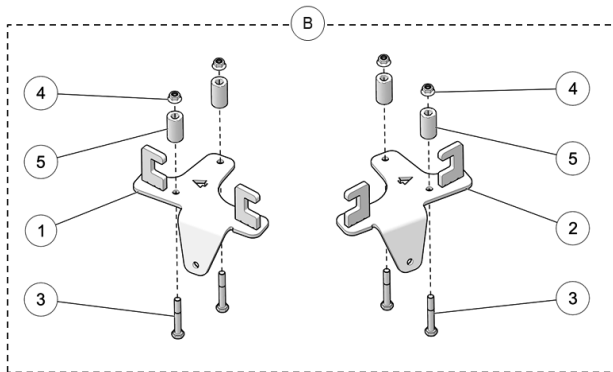
Dealer or distributor phone:
Serial #:
Purchase date:

PARTS LIST

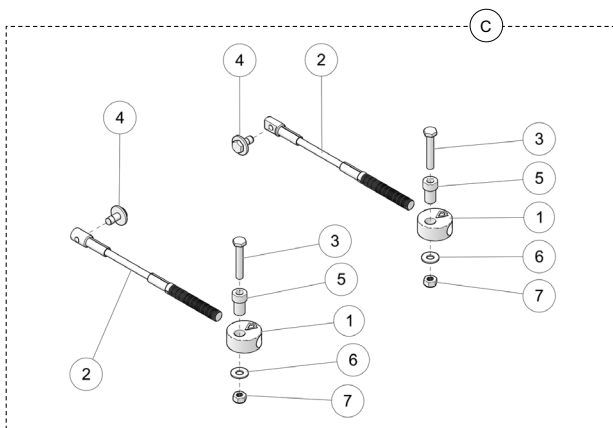
CAUTION: Before beginning the installation, make sure that you have received all the components included in the parts lists below.



ITEM	PART #	DESCRIPTION	QTY
A	1004-05-0950	FRONT BRACKET KIT	1
1	--	ANTI-ROTATION FRONT BRACKET	2
2	--	FRONT COVER	2
3	1033-10-0060	HEX BOLT - HCS, M10-1.5X60, 8.8, ZP, DIN931	2
4	1074-10-0001	NYLON NUT - FNN, M10-1.5, 8, ZP, DIN6926	2



ITEM	PART #	DESCRIPTION	QTY
B	1005-05-0410	REAR BRACKET KIT	1
1	--	ANTI-ROTATION REAR BRACKET - LH	1
2	--	ANTI-ROTATION REAR BRACKET - RH	1
3	1033-10-0070	BOLT - HCS, M10-1.5X70, 8.8, ZP, DIN931	4
4	1074-10-0001	NYLON NUT - FNN, M10-1.5, 8, ZP, DIN6926	4
5	--	SPACER	4



ITEM	PART #	DESCRIPTION	QTY
C	1003-77-3500	STEERING LIMITER ASSY	1
1	--	THREADED DISK	2
2	1003-77-3560	CABLE ASSY	2
3	1033-10-0060	HEX BOLT- HCS, M10-1.5X60, 8.8, ZP, DIN931	2
4	1033-10-2026	BOLT - HCSW, M10-1.5X25, 8.8, ZP, TL, DIN933	2
5	1050-00-0200	STEP SPACER	2
6	1060-00-0004	WASHER - W, 7/16X1.0X0.072, 8, ZP, USS	2
7	1071-10-0001	NYLON NUT - NN, M10-1.5, ZP, 8, DIN982	2



ITEM	PART #	DESCRIPTION	QTY
D	1178-12-B076	LUG NUT - LN, M12-1.5X75, BP	16

INFORMATION

1. For installation purposes, directional arrows have been cut out of some components in the anchor bracket kits. These arrows indicate the front of the vehicle relative to the component. See Fig. 1

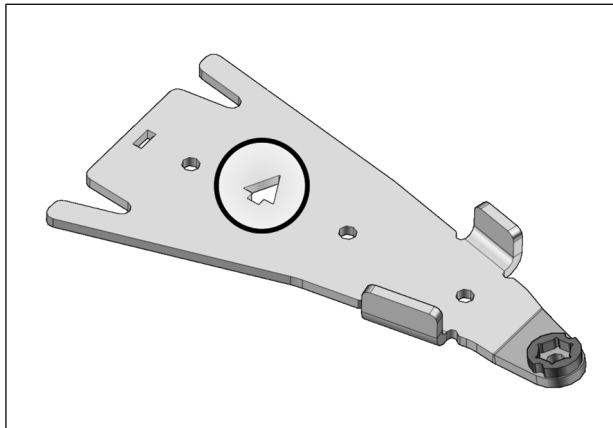


Fig. 1

2. Identify the mounting position of each Track System undercarriage unit; the position is indicated on a small sticker affixed on the undercarriage frame. See Fig. 2

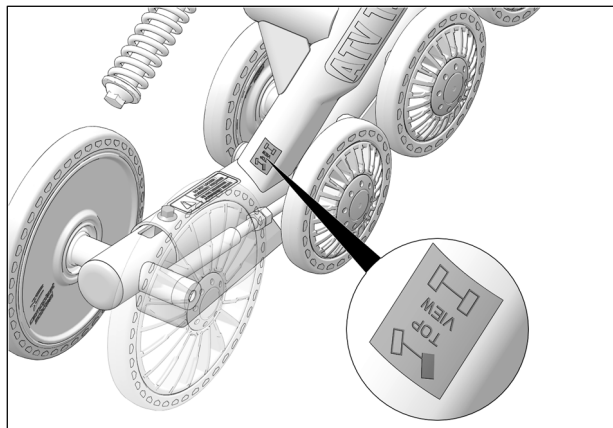


Fig. 2

PREPARATION

WARNING

Do not place any part of your body under the vehicle unless it is securely placed on appropriate stands. Severe injuries could occur if the vehicle collapses or moves. Do not use a lifting device as a secure stand.

1. Position the vehicle on a flat and level surface, shift the transmission to neutral and turn off engine.
2. Set each Track System unit near the position indicated by the sticker affixed on the frame.

REAR TRACK SYSTEM INSTALLATION

1. Using a lifting device, raise the rear of the vehicle and install appropriate stands. Ensure that the vehicle is immobilized and safe to work on.
2. Remove rear wheels. Make sure that wheel studs and wheel hubs are free of dirt.
3. If needed, remove CV joint protectors.
4. Position anchor bracket (B1-B2) under lower suspension arm; C-shaped openings on bracket must be installed on suspension arm tubes. Refer to Fig. 3

NOTE: Arrow cutout in anchor bracket must point front of vehicle.

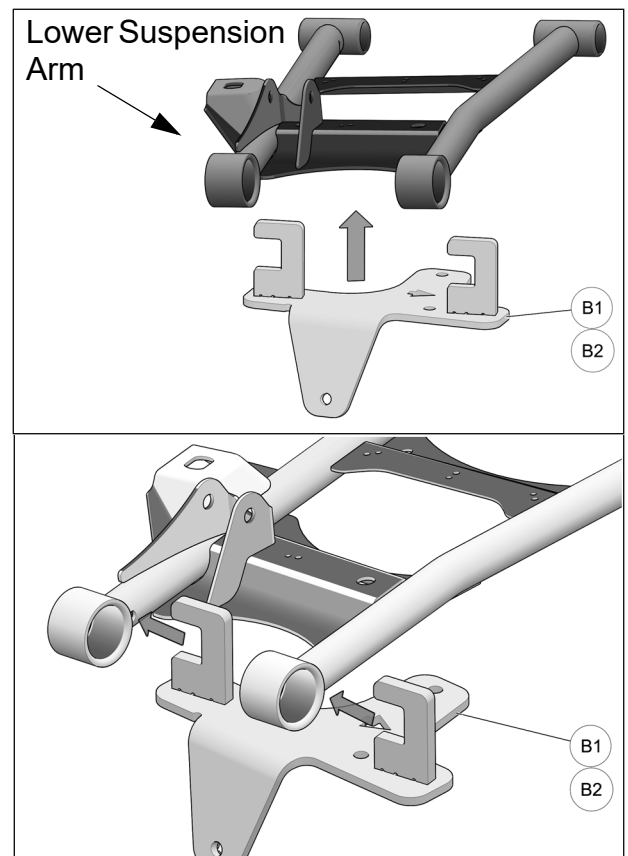


Fig. 3

5. Install spacer bushings (**B5**) between anchor bracket (**B1-B2**) and suspension arm. Align spacer bushings and bolt holes in bracket. See Fig. 4

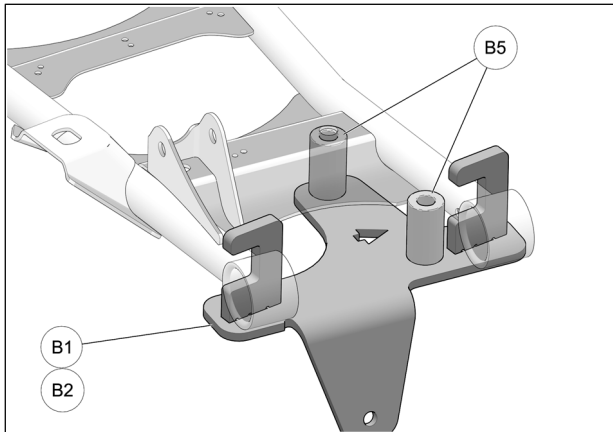


Fig. 4

6. Insert M10x70 mm bolts (**B3**) through anchor bracket and spacer bushings, and also through hole in suspension arm reinforcing plate to secure the back of the bracket. Use the flange nuts (**B4**) provided to assemble the parts together. Torque to 50 N•m [37 lb•ft]. See Fig. 5

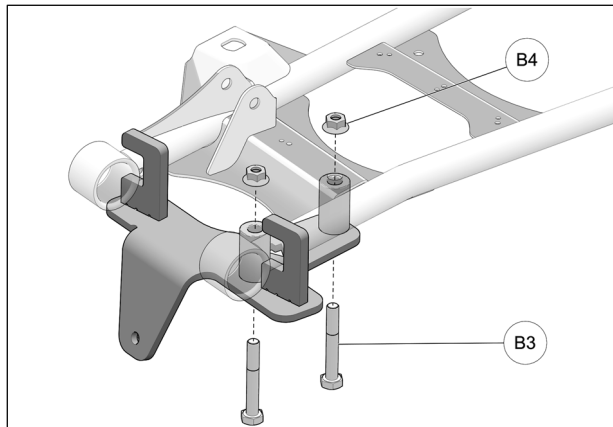


Fig. 5

7. Secure undercarriage to rear hub using the lug nuts (**D**) provided. See Fig. 6

CAUTION: If needed, take rubber protector off of hub.

CAUTION: Follow torque specification indicated by vehicle manufacturer when tightening wheel nuts.

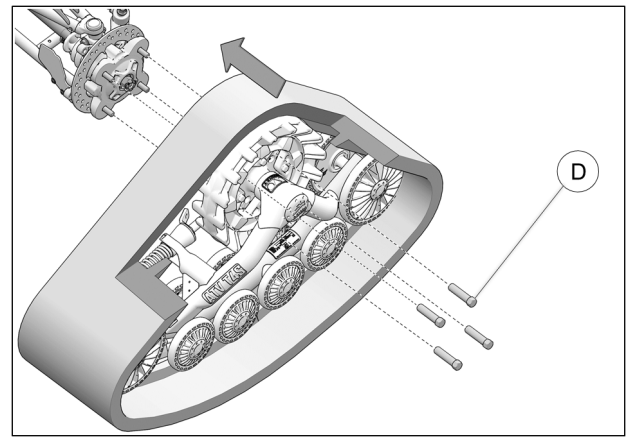


Fig. 6

8. Attach the rear suspension stabilizing rod (**1**) to anchor plate (**B1-B2**) using M10x60mm bolt (**2**), straight bushings (**3**), washer (**4**) and nut (**5**). Torque to 70 N•m [52 lb•ft]. See Fig. 7

CAUTION: Securing stabilizing rod in place is crucial. Incorrect installation of stabilizing rod can cause breakage on System and vehicle components.

CAUTION: Components must be assembled in the order shown.

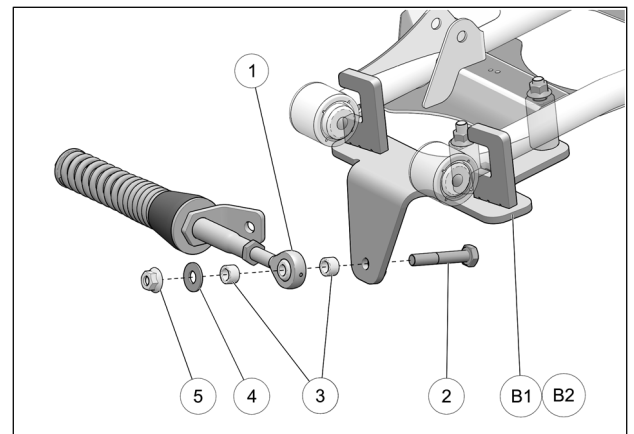


Fig. 7

- Verify that spring assembly bolt (5) is tightened to the recommended torque specification: 75 N•m [55 lb•ft]. Refer to Fig. 8

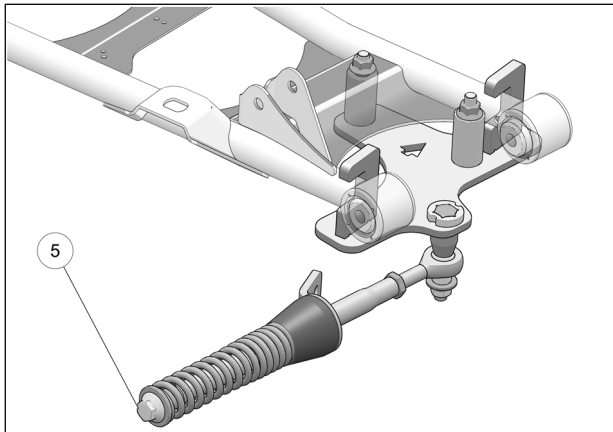


Fig. 8

- Inspect the rear track systems and ensure that all mounting bolts were correctly tightened during installation. Lower the vehicle on the ground and proceed to install the front track systems.

- Remove bolt, washer and bushings from front stabilizing rod end and insert bolt in front anchor bracket (A1) as shown in Fig. 9

NOTE: It is not possible to insert this bolt once the bracket is attached to the suspension arm.

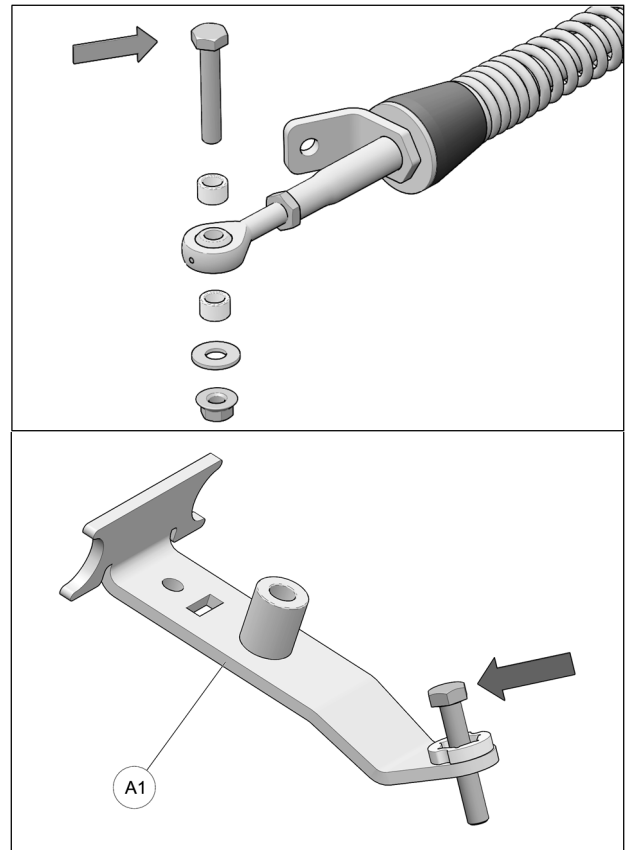


Fig. 9

CAUTION: Be sure that bolt is inserted in the right direction. See Fig. 10

FRONT TRACK SYSTEM INSTALLATION

- Using a lifting device, raise the front of the vehicle and install appropriate stands. Ensure that the vehicle is immobilized and safe to work on.
- Remove front wheels. Make sure that wheel studs and wheel hubs are free of dirt.
- If applicable, remove CV joint protectors.

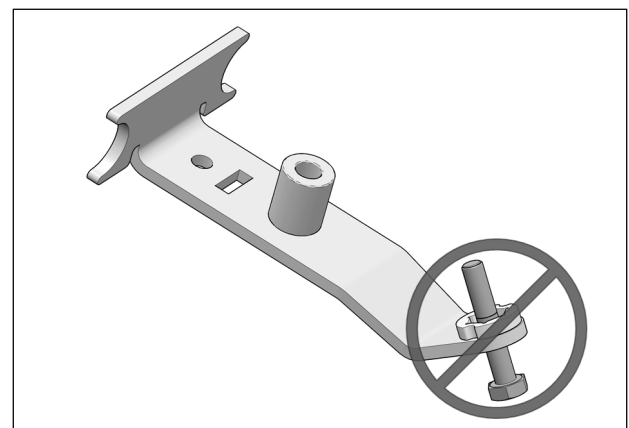


Fig. 10

- Position bottom part of anchor bracket (A1) assembly under front lower suspension arm, as shown in the figure below. Position bracket cover (A2) over suspension arm and align holes in cover and bottom part. Refer to Fig. 11

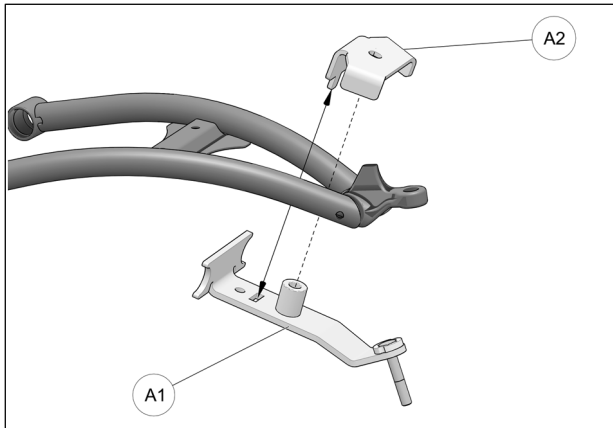


Fig. 11

- Insert M10x60mm bolt (A3) from the top and secure the two parts together with the nut (A4) provided. Tighten assembly to 50 N•m [37 lb•ft] of torque. Refer to Fig. 12

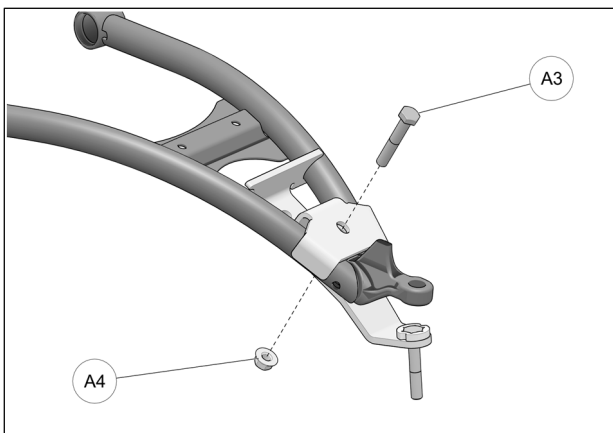


Fig. 12

- Using the lug nuts provided (D), secure undercarriages to front wheel hubs. The procedure and precautions are the same as for rear units. Refer to Fig. 6

- Attach the stabilizing rod (2) to the anchor bracket (1), using the two spacer bushings (3), flat washer (4) and nut (5). Torque to 70 N•m [52 lb•ft]. Refer to Fig. 13

CAUTION: Components must be assembled in the order shown.

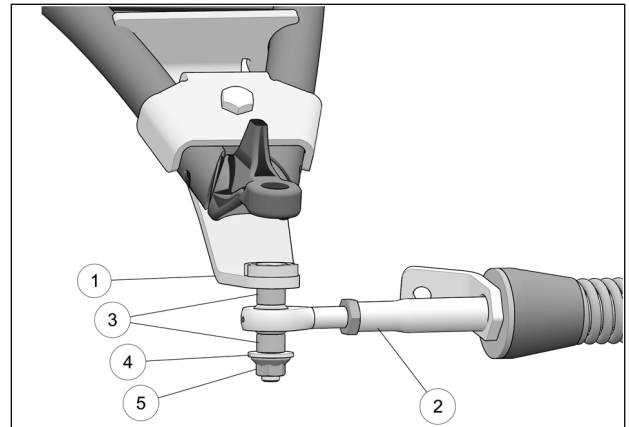


Fig. 13

- Verify that spring assembly bolt (6) is tightened to the recommended torque specification: 75 N•m [55 lb•ft]. Refer to Fig. 14

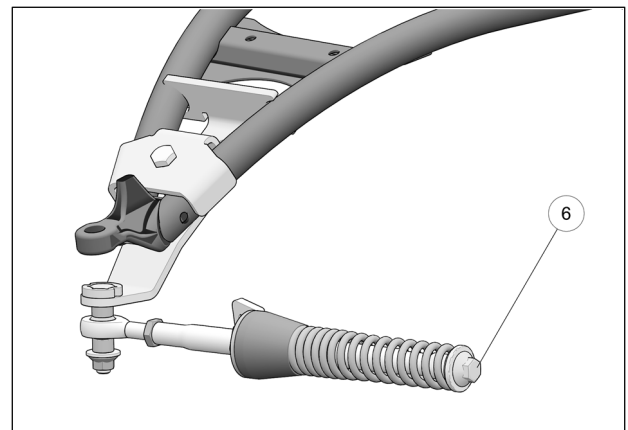


Fig. 14

STEERING LIMITER INSTALLATION

10. Assemble steering limiter cables (C2), aluminum disks (C1) and step spacers (C5) as shown on Fig. 15

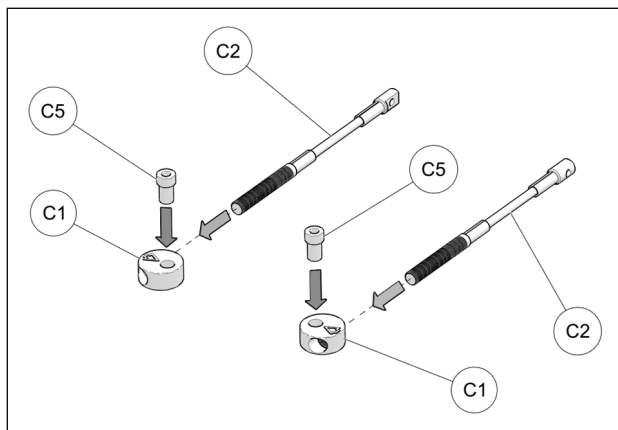


Fig. 15

IMPORTANT

11. At assembly, apply grease evenly all around step spacer bushing (C5) and in hole of aluminum disk (C1). See Fig. 16

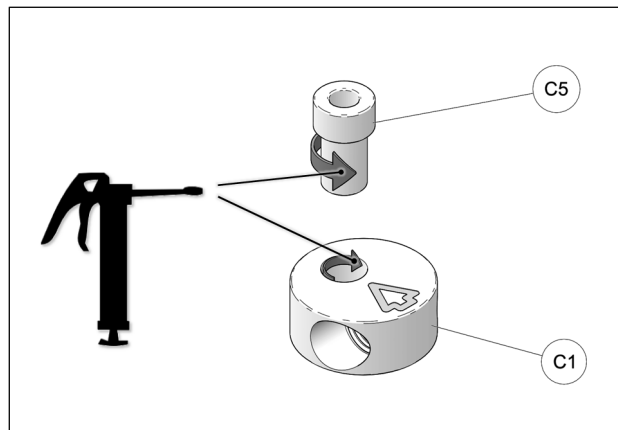


Fig. 16

12. Insert bolt (C3) in the anchor bracket's remaining free hole. Slip steering limiter cable assembly over bolt (C3) and use washer (C6) and nut (C7) to secure assembly to anchor bracket. Tighten nut to 50 N•m [37 lb•ft]. Refer to Fig. 17

NOTE: Make sure arrow on top of aluminum disk points towards front of vehicle.

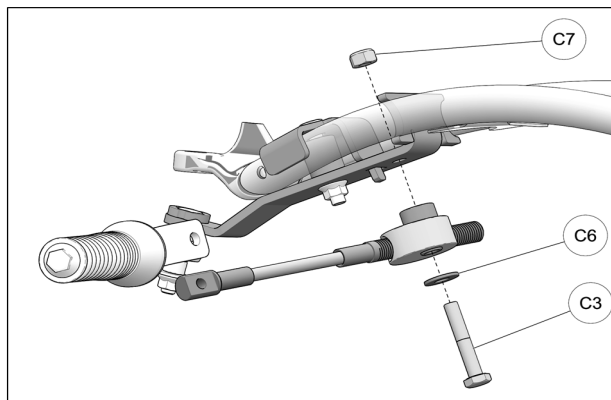


Fig. 17

STEERING LIMITER ADJUSTMENT

WARNING: Before the next steps, make sure that stabilizing arms are correctly installed, and that the angle of attack and alignment are correct. Refer to the *User Manual*.

13. Turn the vehicle's steering wheel to its maximum point of travel on the left. While maintaining pressure on the steering wheel, turn threaded rod to adjust length of cable so that the cable end hole (1) is located 13 to 19 mm [$\frac{1}{2}$ to $\frac{3}{4}$ in.] short of the mounting hole on the support plate (2). See Fig. 18

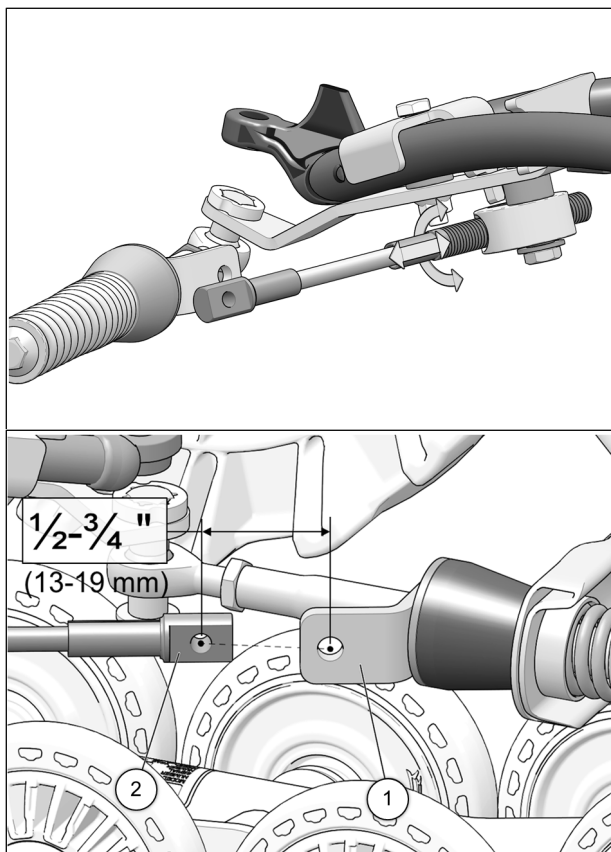


Fig. 18

14. Reverse steering wheel a little to be able to bolt support plate and cable together. Tighten provided bolt **(C4)** to 35 N•m [24 lb•ft]. See Fig. 19. Repeat steps on right side.

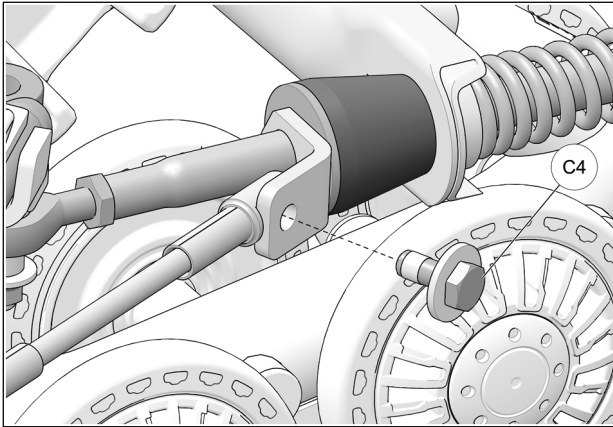


Fig. 19

FINAL INSTALLATION

1. To prevent any possible contact between the undercarriages and fenders, the lower corners of the fender flares might have to be trimmed. Such a modification can help avoid damages to the vehicle and the Track System.
2. Verify the suspension settings. If the shock absorbers are adjustable, they should be adjusted to the stiffest setting to allow for maximum clearance between the System and the vehicle's fenders.
3. Lower the vehicle to the ground.

ADJUSTMENTS

CAUTION: The Track System is designed to provide the best traction performance and floatability. Adjustments such as alignment, track tension, and angle of attack are necessary and mandatory for optimal System performance. For more information on these adjustments, refer to the document entitled *ADJUSTMENTS* or to the *USER MANUAL* provided with the installation kit specific to the vehicle.

ATTENTION : Le système de traction a été conçu pour offrir les meilleures performances en termes de traction et de flottabilité. Les ajustements de l'alignement, de la tension des chenilles et de l'angle d'attaque sont obligatoires et nécessaires pour obtenir les performances optimales du système. Pour plus de renseignements sur ces ajustements, référez-vous au document **RÉGLAGES** ou au **MANUEL DE L'UTILISATEUR** fournis avec l'ensemble d'installation du véhicule.

AJUSTEMENTS

3. Abaisser le véhicule au sol.
ailes du véhicule.
maximum de dégagement entre les systèmes et les amortisseurs sont réglables, ils doivent être réglés au niveau le plus ferme afin de permettre un alignement de la suspension; si les inférieurs des extensions d'ailes pourraient devoir être modifiés (découpe). Une telle modification permet d'éviter les dommages à l'esthétique du véhicule ou aux systèmes de traction.
2. Vérifier l'ajustement de la suspension; si les de traction et les ailes du véhicule, les coins de traction tout contact possible entre les systèmes
1. Pour éviter tout contact possible entre les systèmes

FINALISER L'INSTALLATION

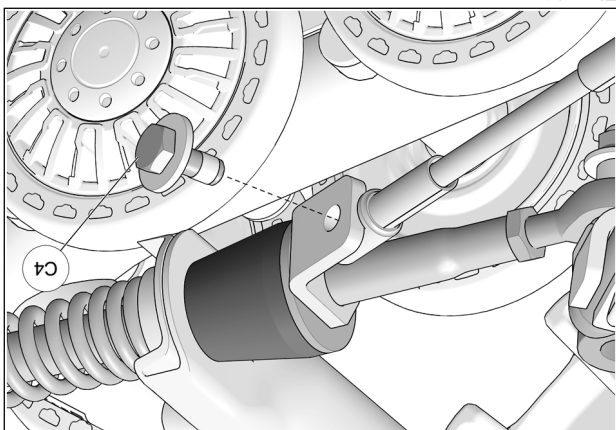


Fig. 19

14. Tourner légèrement le volant dans le sens contraire jusqu'à ce que le câble puisse être fixé à la plaque de support en utilisant le boulon **(C4)** fourni. Serrer à un couple de 35 N•m [24 lb•pi]. Voir la Fig. 19. Effectuer le même exercice du côté droit.

LIMITEURS DE CONDUITE - INSTALLATION

10. Assembler les câbles des limiteurs de conduite (C2), les extrémités en aluminium (C1) et les bagues espacateurs (C5) tel que montré à la Fig. 15

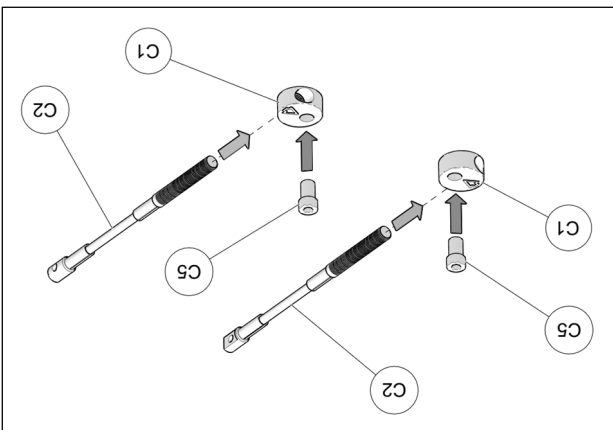


Fig. 15

IMPORTANT

11. À l'assemblage les bagues espacateurs (C5) doivent être graissées. Appliquer une couche de graisse uniforme sur toute la circonférence de la bague espaceur et dans le logement de l'extrémité en aluminium (C1). Voir la Fig. 16

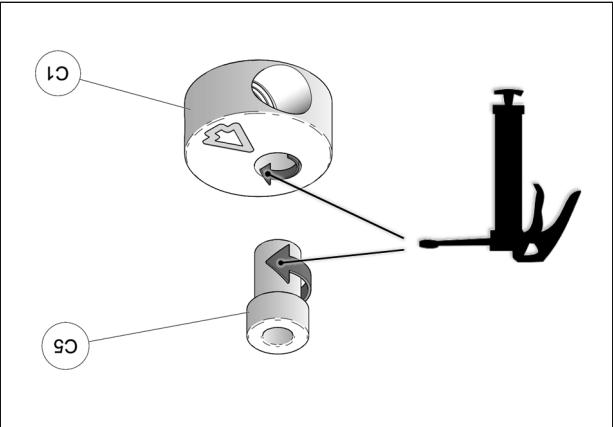


Fig. 16

12. Insérer le boulon (C3) dans le trou libre de l'ancrage. Positionner l'extrémité en aluminium du limiteur de conduite au boulon (C3). Utiliser la rondelle (C6) et l'écrou (C7) pour fixer le limiteur de conduite en place. Serrer l'écrou à un couple de 50 N•m [37 lb•pi]. Voir la Fig. 17

NOTE : La flèche sur le disque en aluminium doit pointer vers l'avant du véhicule.

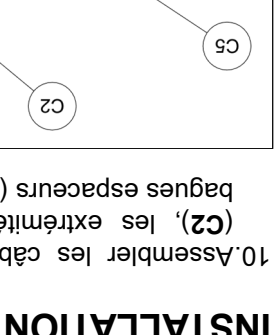


Fig. 17

LIMITEURS DE CONDUITE - AJUSTEMENT

AVERTISSEMENT : Avant de passer aux étapes suivantes, les bras stabilisateurs doivent être correctement installés et les ajustements de l'angle d'attaque et de l'alignement doivent être complétés. Voir le Manuel de l'utilisateur fourni à l'achat.

13. Tourner le volant du véhicule à gauche, au maximum. En maintenant une pression au volant, ajuster le câble (ajuster la longueur en vissant ou dévissant) pour obtenir une distance de 13-19 mm [$\frac{1}{2}$ - $\frac{3}{4}$ po] du centre de l'extrémité du câble (1) au centre du support de fixation (2). Voir la Fig. 18

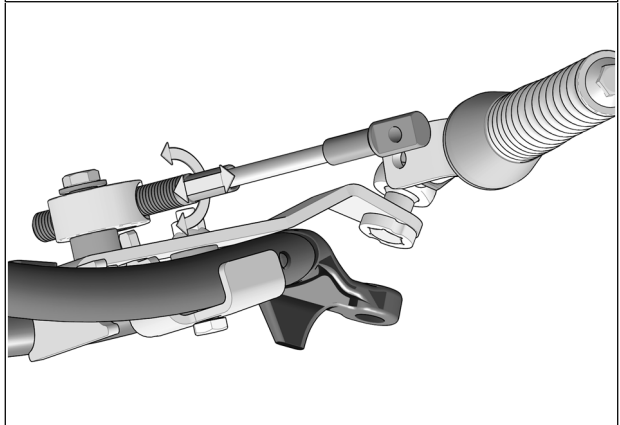


Fig. 18

5. Positionner la partie inférieure de l'ancrage anti-rotation (A1) sous le bras de suspension inférieur. Positionner la partie supérieure (A2) au-dessus du bras de suspension de façon à ce que le tenon de la partie supérieure s'insère dans le trou rectangulaire de la partie inférieure. Voir la Fig. 11

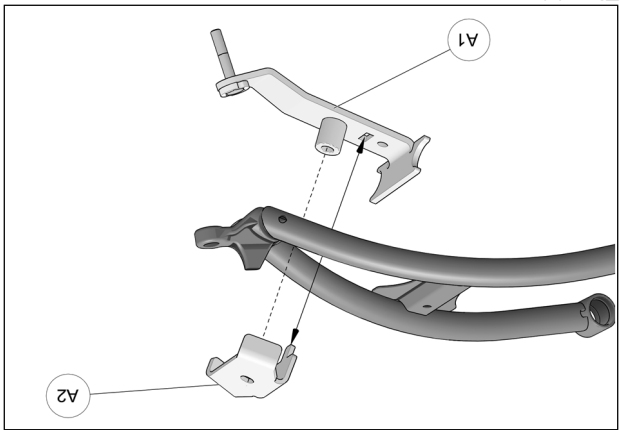


Fig. 11

6. Insérer le boulon M10x60mm (A3) par le dessus de l'ancrage. Assembler les deux parties avec l'écrou (A4) fourni. Serrer l'assemblage à un couple de 50 N•m [37 lb•pi]. Voir la Fig. 12

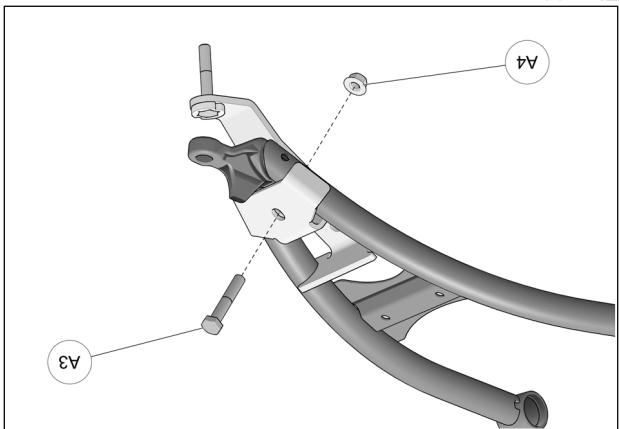


Fig. 12

7. Au moyen des écrous fournis (D), boulonner chaque système de traction au moyen de roue avant. La marche à suivre et les précautions sont les mêmes qu'à l'arrière. Voir la Fig. 6

8. Fixer le bras stabilisateur (2) au boulon déjà installé sur l'ancrage de suspension (1) à l'aide des deux espaceurs (3), de la rondelle (4) et de l'écrou autobloquant (5). Serrer à un couple de 70 N•m [52 lb•pi]. Voir la Fig. 13

ATTENTION : Assurez-vous d'assembler les pièces dans l'ordre indiqué.

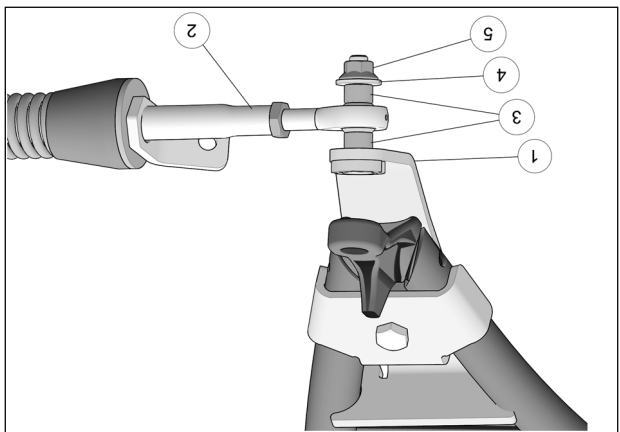


Fig. 13

9. Vérifier que le boulon du ressort (6) est serré au couple recommandé : 75 N•m [55 lb•pi]. Fig. 14

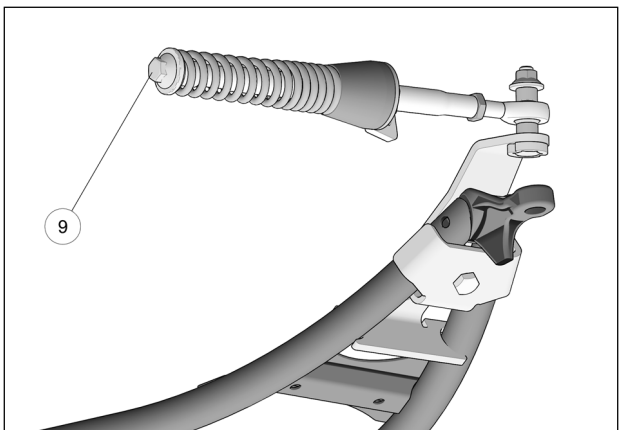


Fig. 14

9. Vérifier que le boulon du ressort (5) est serré au couple recommandé : 75 N•m [55 lb•pi]. Fig. 8

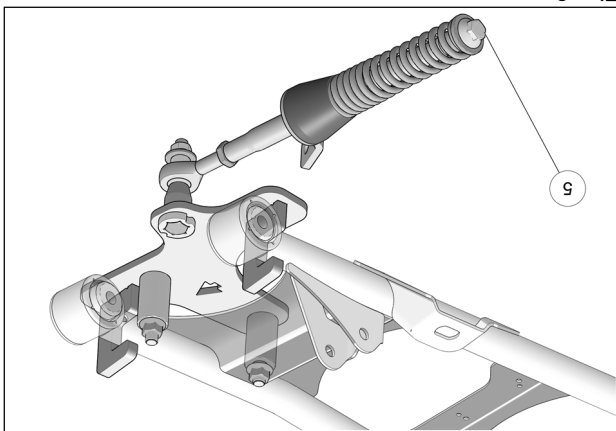


Fig. 8

10. Inspecter les systèmes de traction arrière et s'assurer que tous les boulons ont été serrés correctement lors de l'installation. Abaisser ensuite le véhicule au sol et procéder à l'installation des systèmes de traction avant.

4. Enlever les boulons, les rondelles et les espaces des rotules des bras stabilisateurs des systèmes avant. Insérer un boulon à l'extrémité de chacun des ancrages de suspension avant (A1). Fig. 9

NOTE : Il est impossible d'insérer ce boulon une fois l'ancrage fixé au bras de suspension du véhicule.

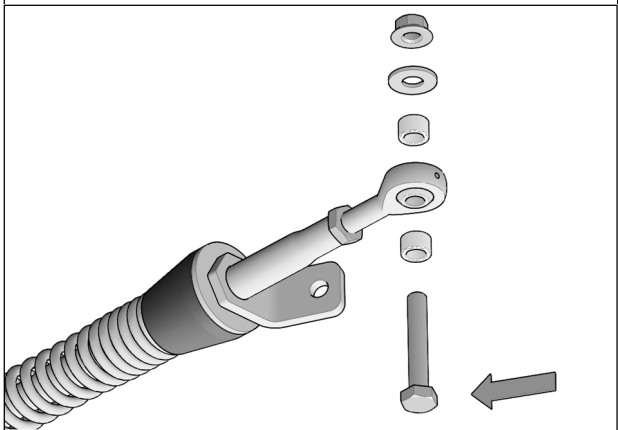


Fig. 9

ATTENTION : Assurez-vous d'insérer le boulon dans le bon sens. Voir la Fig. 10

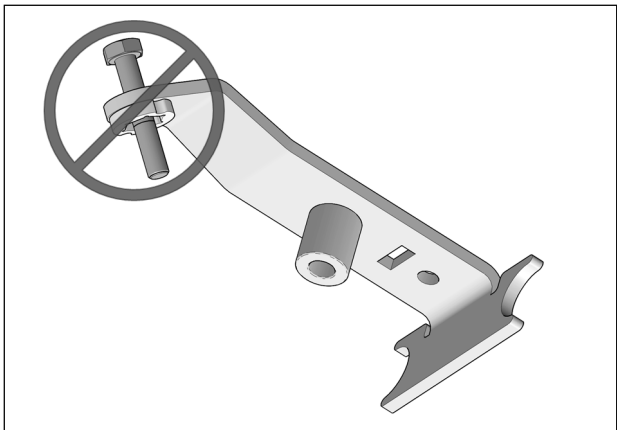


Fig. 10

1. Au moyen d'un dispositif de levage, soulever l'avant du véhicule et installer des cales de sûreté. S'assurer que le véhicule est bien immobile et qu'on peut y travailler en sécurité.
2. Enlever les roues avant. S'assurer que les goujons et les moyeux de roue sont exempts de saleté.
3. Retirer les protecteurs de joint homocinétique, si nécessaire.

SYSTÈMES AVANT - INSTALLATION

5. Installer les espacateurs (B5) entre la plaque d'ancrage (B1-B2) et le bras de suspension. Aligner les espacateurs et les trous de l'ancrage. Voir la Fig. 4

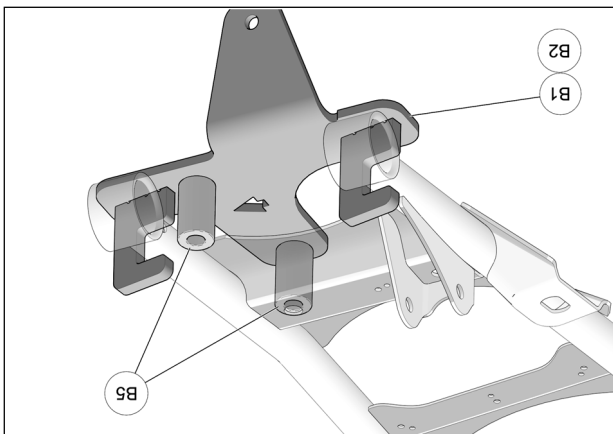


Fig. 4

6. Insérer les boulons M10x70mm (B3) à la plaque d'ancrage, aux espacateurs, et au trou du renfort du bras de suspension pour le boulon arrière. Utiliser les écrous (B4) fournis pour fixer l'assemblage. Serrer à un couple de 50 N•m [37 lb•pi]. Fig. 5

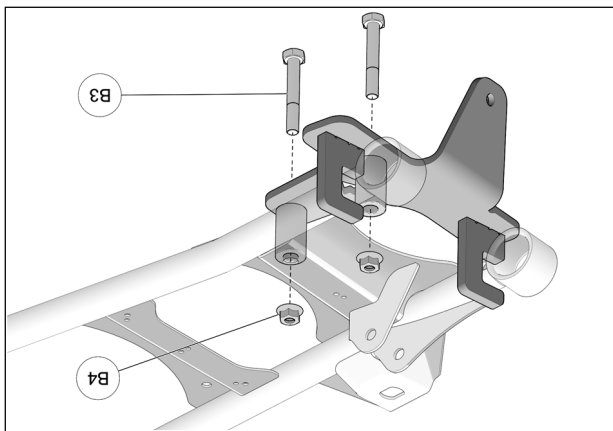


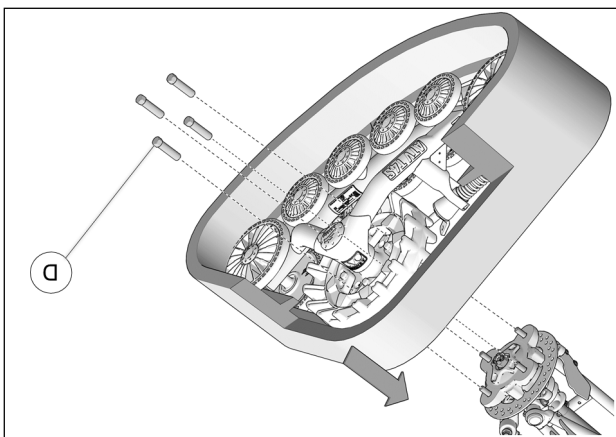
Fig. 5

7. Fixer le système de traction au moyen de roue arrière. Utiliser les écrous de roue (D) fournis. Voir la Fig. 6

ATTENTION : Retirer le protecteur en caoutchouc du moyeu, s'il y a lieu.

ATTENTION : Serrer les écrous de roue au couple de serrage indiqué par le fabricant du véhicule.

Fig. 6



8. Fixer le bras stabilisateur (1) au point d'ancrage de la plaque (B1-B2) au moyen du boulon M10x60mm (2), des espacateurs cylindriques (3), de la rondelle (4) et de l'écrou (5). Serrer à un couple de 70 N•m [52 lb•pi]. Voir la Fig. 7

ATTENTION : Une bonne installation des bras stabilisateurs est cruciale. Une installation déficiente peut entraîner des bris aux systèmes et aux composants du véhicule.

ATTENTION : Assurez-vous d'assembler les pièces dans l'ordre indiqué.

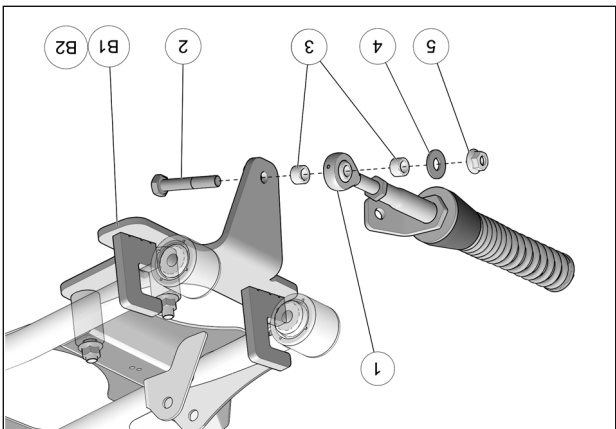


Fig. 7

SYSTÈMES ARRIÈRE - INSTALLATION

1. Au moyen d'un dispositif de levage, soulever l'arrière du véhicule et installer des cales de sûreté. S'assurer que le véhicule est bien immobile et qu'on peut y travailler en sécurité.

2. Enlever les roues arrière. S'assurer que les goujons et les moyeux de roue sont exempts de saleté.

3. Retirer les protecteurs de joint homocinétique, si nécessaire.

4. Positionner l'ancrage anti-rotation (B1-B2) sous le bras de suspension arrière; les ouvertures en « C » doivent se positionner aux tubes du bras de suspension. Voir la Fig. 3

NOTE : La flèche découpée dans la plaque d'ancrage doit pointer vers l'avant du véhicule.

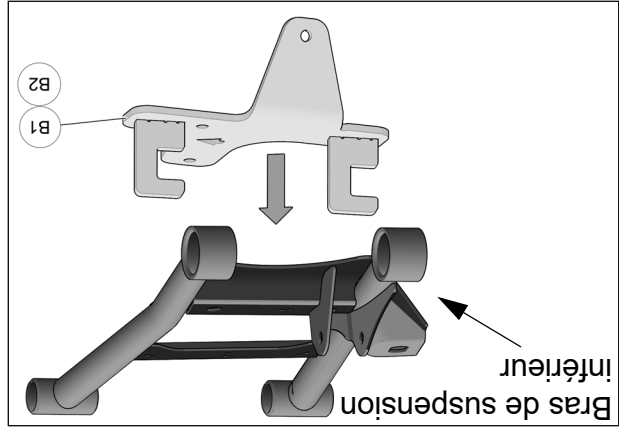


Fig. 3

INFORMATION

1. Des flèches indiquant l'avant du véhicule sont découpées dans certaines composantes des ancrages. S'assurer que ces flèches pointent vers l'avant du véhicule à l'assemblage de celles-ci. Fig. 1

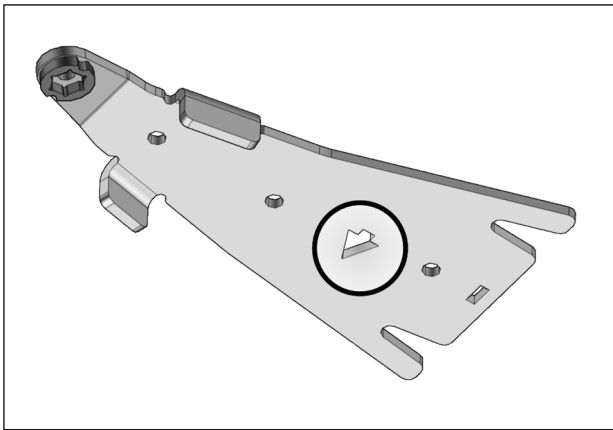


Fig. 1

2. Identifier la position d'installation de chaque système de traction à l'aide de l'étiquette de positionnement apposée au châssis. Voir la Fig. 2

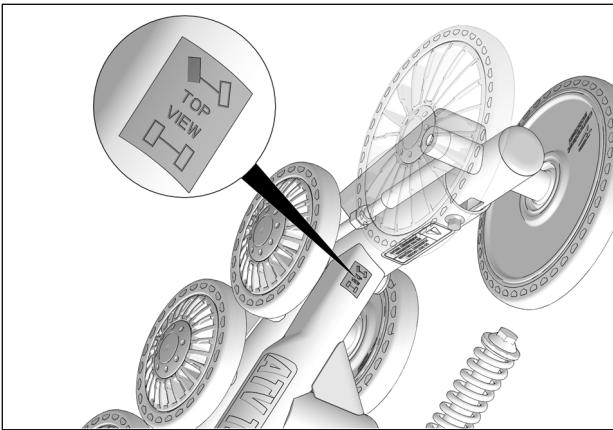


Fig. 2

PRÉPARATION

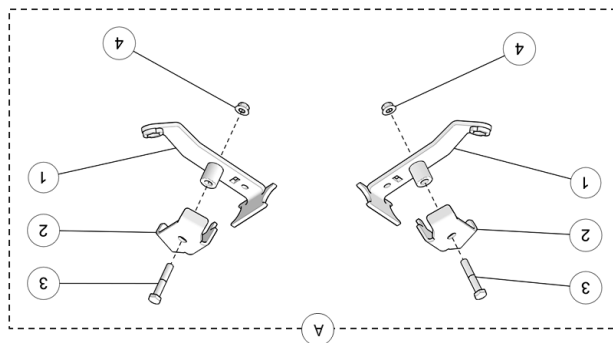
AVERTISSEMENT

Ne jamais exposer des parties du corps sous le véhicule à moins que celui-ci ne repose sur des supports appropriés. Si le véhicule devait capoter ou se déplacer, cela pourrait occasionner des blessures graves. Ne pas utiliser un dispositif de levage comme support permanent.

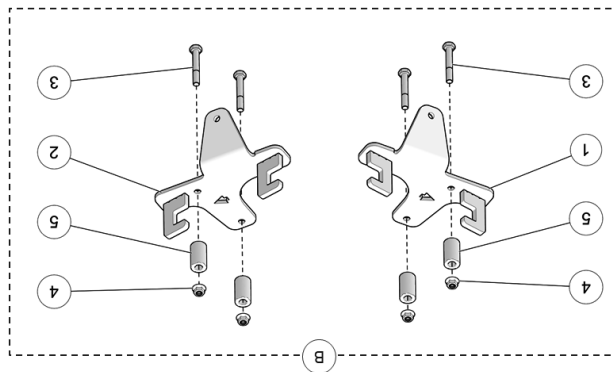
1. Placer le véhicule sur une surface plane et au niveau. Mettre la transmission au point mort et arrêter le moteur.

2. Placer chaque système de traction près de sa position d'installation indiquée sur l'étiquette apposée au châssis.

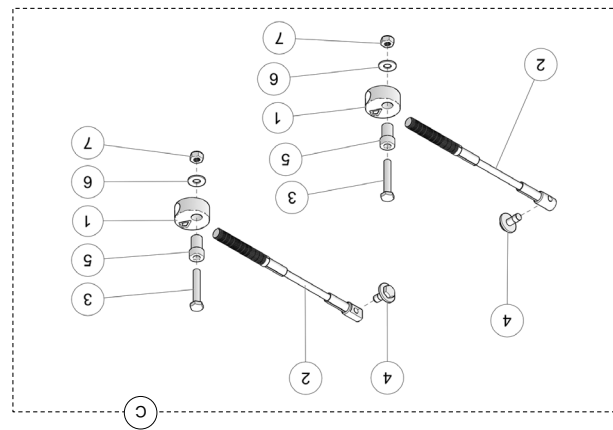
ITEM	#PIÈCE	DESCRIPTION	QTE
A	1004-05-0950	ENSEMBLE ANCRAGE AVANT	1
	--	ANCRAGE ANTI-ROTATION AVANT	2
	--	COUVERT AVANT	2
	1033-10-0060	BOULON - HCS, M10-1,5X60, 8,8, ZP, DIN931	2
	1074-10-0001	ÉCROU NYL. - FNN, M10-1,5, 8, ZP, DIN6926	4



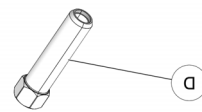
ITEM	#PIÈCE	DESCRIPTION	QTE
B	1005-05-0410	ENSEMBLE ANCRAGE ARRIÈRE	1
	--	ANCRAGE ANTI-ROTATION ARRIÈRE - GA	1
	--	ANCRAGE ANTI-ROTATION ARRIÈRE - DR	1
	1033-10-0070	BOULON - HCS, M10-1,5X70, 8,8, ZP, DIN931	4
	1074-10-0001	ÉCROU NYL. - FNN, M10-1,5, 8, ZP, DIN6926	4
	--	ESPACEUR	4



ITEM	#PIÈCE	DESCRIPTION	QTE
C	1003-77-3500	CÂBLE LIMITEUR DE CONDUITE ASSEMBLÉ	1
	--	RONDELLE FILETÉE	2
	1003-77-3560	CÂBLE ASSEMBLÉ	2
	1033-10-0060	BOULON - HCS, M10-1,5X60, 8,8, ZP, DIN931	2
	1033-10-2026	BOUL. - HCSW, M10-1,5X25,8,8, ZP, TL, DIN933	2
	1050-00-0200	ESPACEUR	2
	1060-00-0004	RONDELLE - W, 7/16X1,0X0,072, 8, ZP, USS	2
	1071-10-0001	ÉCROU NYLON - NN, M10-1,5, ZP, 8, DIN982	2




ITEM	#PIÈCE	DESCRIPTION	QTE
D	1178-12-B076	ÉCROU - LN, M12-1,5X75, BP	16



ATTENTION : Avant de débiter l'installation, assurez-vous d'avoir reçu toutes les composantes incluses dans les listes de pièces de cet ensemble.

LISTES DE PIÈCES



AVERTISSEMENT  Veuillez lire attentivement ce document en entier, ainsi que le manuel de l'utilisateur avant d'assembler, d'installer et d'utiliser le système de traction.

ATTENTION : La durée de vie des composantes d'un système de traction Camso est directement liée à la façon d'utiliser le système. La conduite sportive, les changements de direction brusques ou les virages rapides et à répétition (plus spécifiquement aux véhicules à direction assistée) ne sont pas recommandés. Ces types de conduite augmentent les risques de déraillement des chenilles et peuvent causer une usure prématurée ainsi que des bris majeurs au système de traction qui ne seront pas couverts par la garantie.

Camso inc.
4162, rue Burrill - Local A
Shawinigan, QC G9N 0C3
CANADA

SOUTIEN TECHNIQUE

En cas de problème, contacter d'abord votre concessionnaire ou distributeur. Advenant qu'il ne soit pas en mesure de résoudre un problème lié au système, vous pouvez communiquer avec l'équipe de soutien de Camso du lundi au vendredi.

Courriel : enduser.atv@camso.co
Internet : www.camso.co

Tél. du concessionnaire ou du distributeur :
No de série :
Date d'achat :



Système de traction pour VTT

CAMSO

5000-05-0568-MAN

Polaris

Directives d'installation